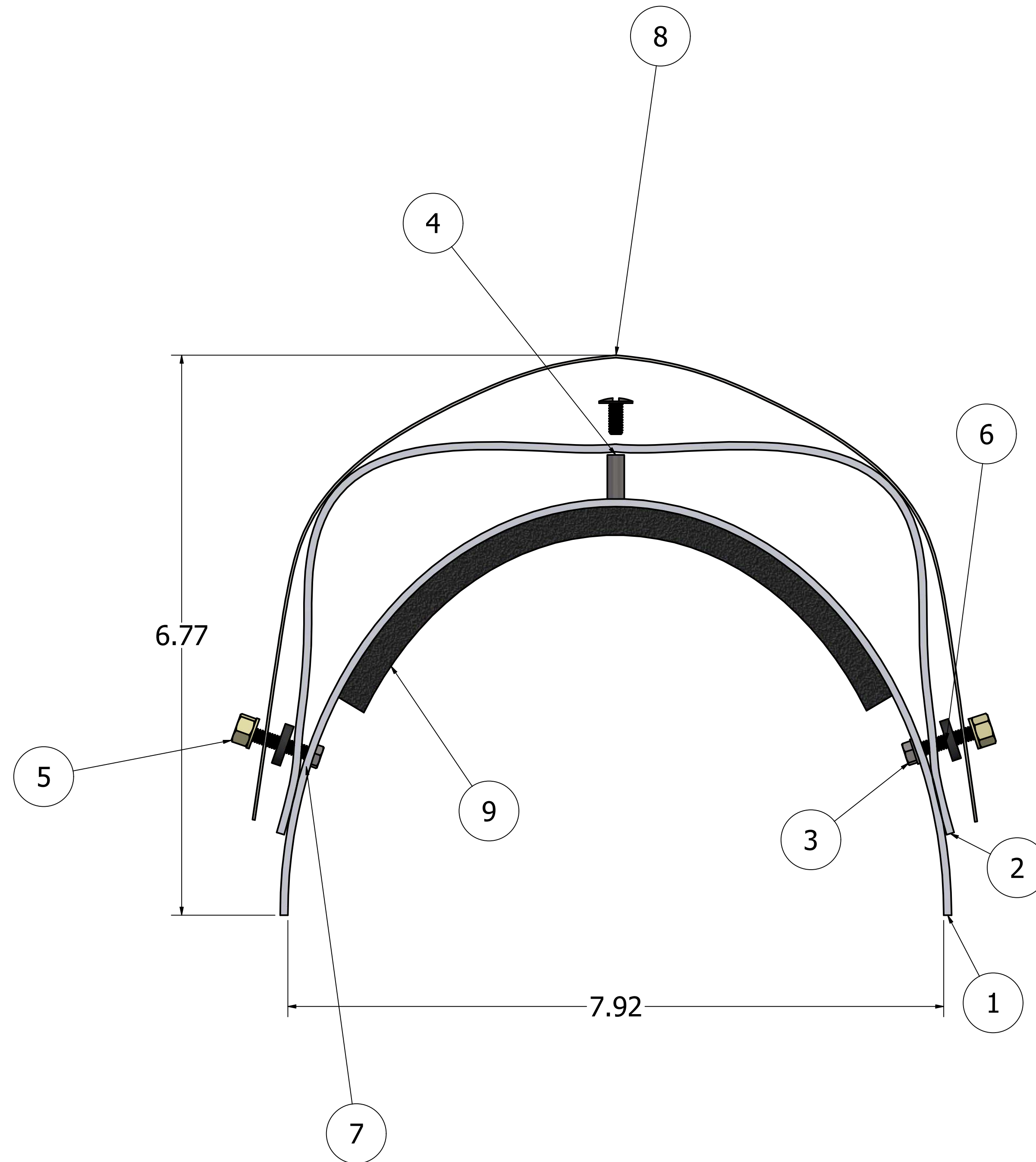
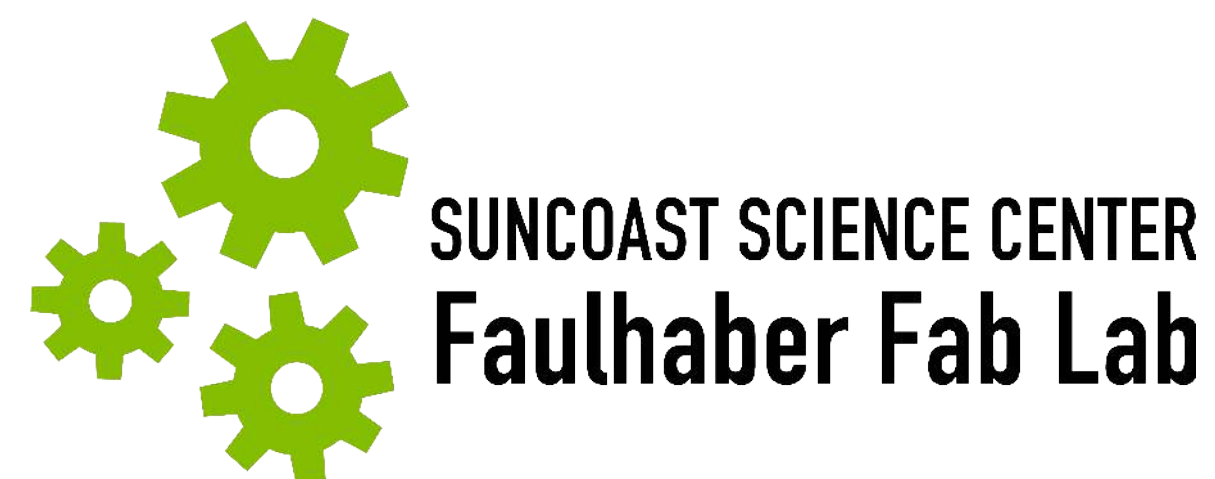


NOTES - UNLESS OTHERWISE SPECIFIED:  
 1. REMOVE ALL BURRS AND SHARP EDGES  
 2. FINISH: MACHINED SURFACES

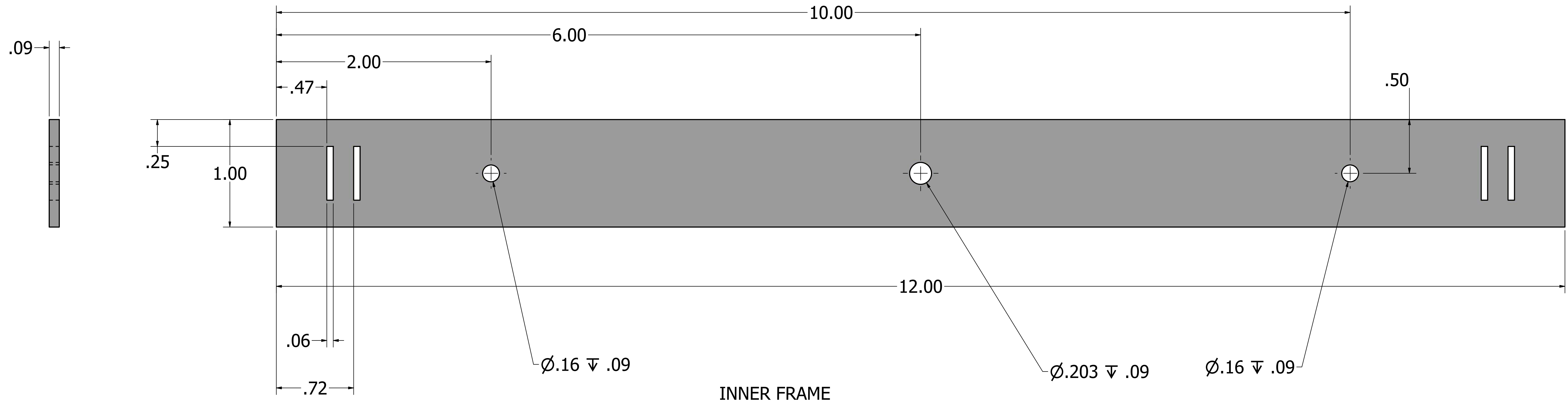


PARTS LIST				
ITEM	QTY	PART NUMBER	DESCRIPTION	VENDOR
1	1	8742K232	12X24X.093 POLYPROPYLENE	MCMaster-CARR
2	1	8742K232	12X24X.093 POLYPROPYLENE	MCMaster-CARR
3	2	92314A198	18-8 STAINLESS STEEL HEX HEAD MACHINE SCREW	MCMaster-CARR
4	1	94887A148	18-8 STAINLESS STEEL LOW-PROFILE BINDING POST	MCMaster-CARR
5	2	94909A009	NYLON FLANGE NUT	MCMaster-CARR
6	2	90133A017	OIL-RESISTANT NEOPRENE RUBBER SEALING WASHER	MCMaster-CARR
7	2	97099A103	.17x.5 WAVE WASHER	MCMaster-CARR
8	1		11.75x9.5x.03 POLYCARBONATE	TAP PLASTICS
9	1	ASIN B07Z4RDM8T	1x8x.375 NEOPRENE FOAM	AMAZON



4452 Beneva Rd. Sarasota, FL 34233 941-840-4394 WWW.SUNCOASTSCIENCE.ORG	DRAWN Eric McGrath CHECKED	4/17/2020	TITLE	
	QA MFG EM APPROVED	4/17/2020	Face Shield V2	
EXCEPT AS MAY BE OTHERWISE PROVIDED BY CONTRACT, THESE DOCUMENTS ORIGINATE FROM SUNCOAST SCIENCE CENTER. RELEASES ARE OPEN SOURCE AND SHALL BE AVAILABLE TO ANY PARTY TO REPRODUCE AND COPY IN PART WITHOUT AUTHORIZATION.		SIZE D	DWG NO Face Shield V2	REV 0
SCALE 1 : 1		SHEET 1 OF 4		

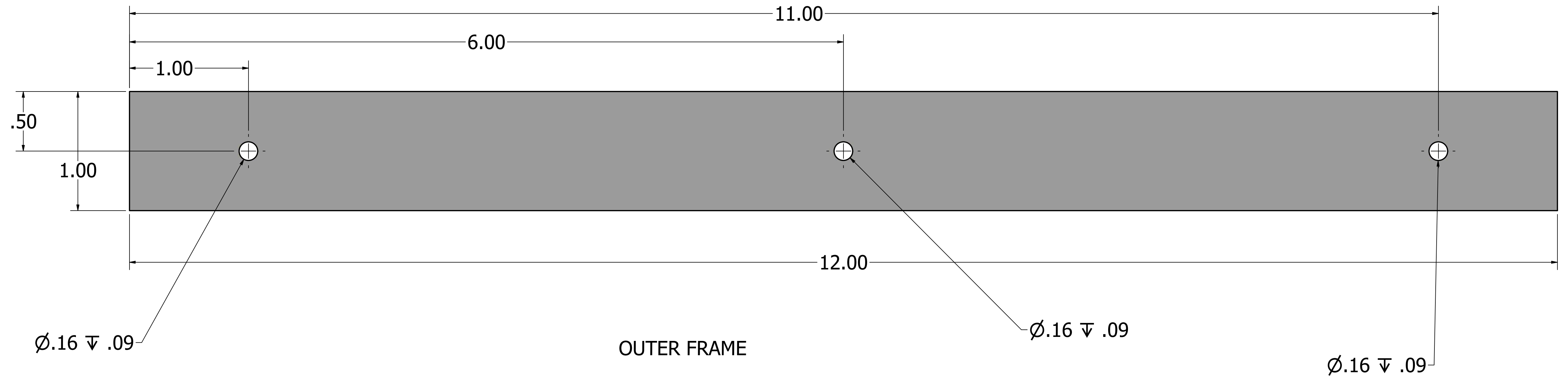
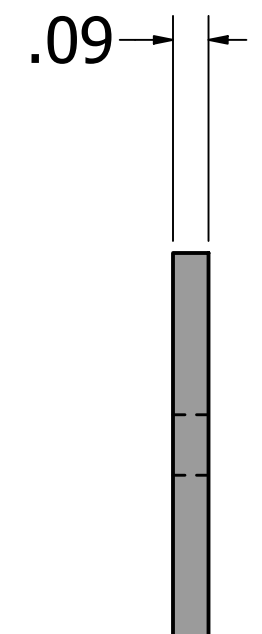
- NOTES - UNLESS OTHERWISE SPECIFIED:
1. MATERIAL: POLYPROPYLENE
  2. REMOVE ALL BURRS AND SHARP EDGES
  3. FINISH: MACHINED SURFACES



suncoastscience.org | info@suncoastscience.org

DRAWN Eric McGrath	4/17/2020	TITLE		
CHECKED		Face Shield V2		
QA		SIZE	DWG NO	REV
MFG EM	4/17/2020	D	Face Shield V2	0
APPROVED		SCALE	SHEET 2 OF 4	
		2 : 1		

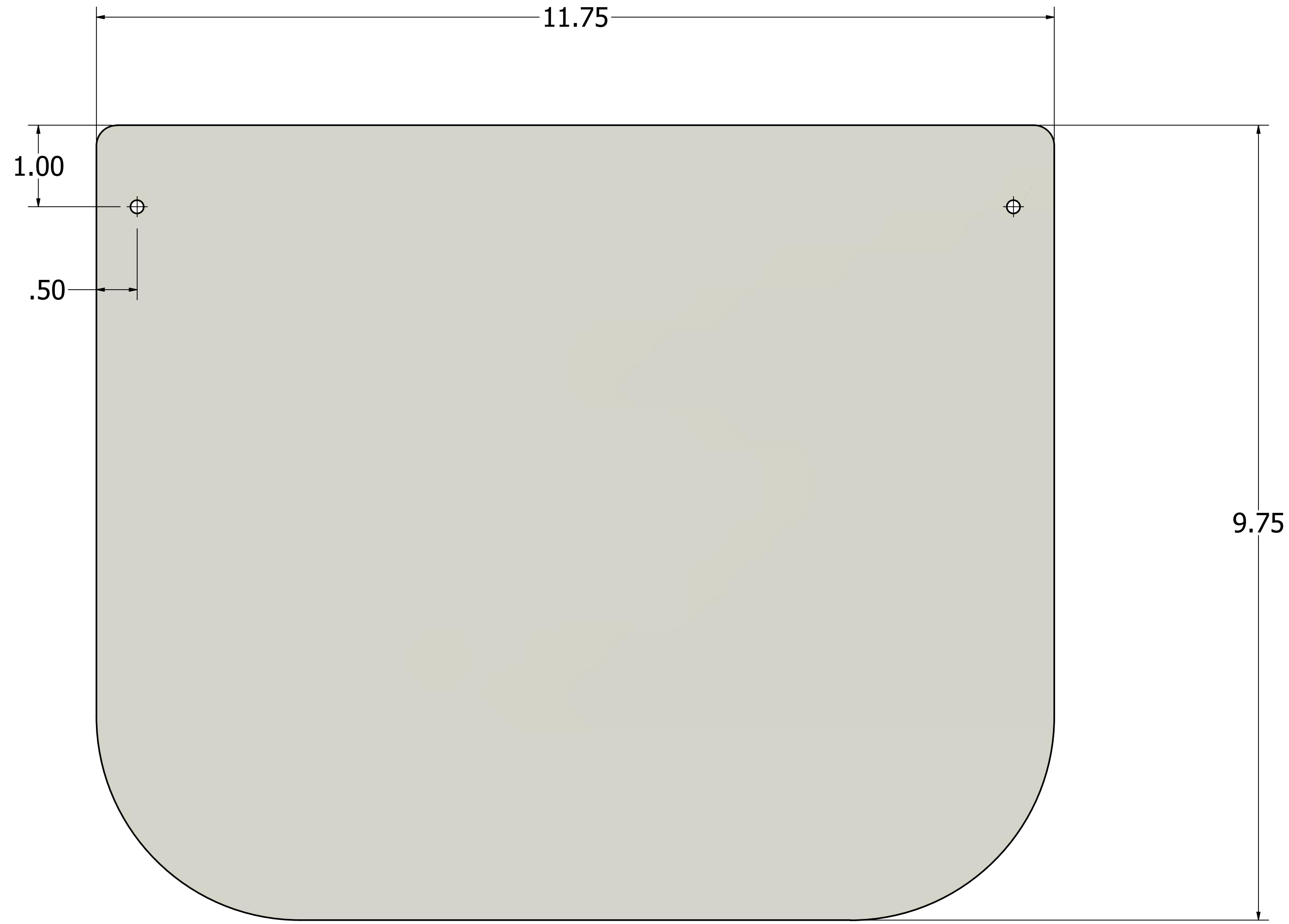
- NOTES - UNLESS OTHERWISE SPECIFIED:
1. MATERIAL: POLYPROPYLENE
  2. REMOVE ALL BURRS AND SHARP EDGES
  3. FINISH: MACHINED SURFACES



suncoastscience.org | info@suncoastscience.org

DRAWN Eric McGrath	4/17/2020	TITLE		
CHECKED		Face Shield V2		
QA		SIZE	DWG NO	REV
MFG EM	4/17/2020	D	Face Shield V2	0
APPROVED		SCALE 2 : 1		SHEET 3 OF 4

NOTES - UNLESS OTHERWISE SPECIFIED:  
 1. MATERIAL: POLYCARBONATE  
 2. REMOVE ALL BURRS AND SHARP EDGES  
 3. FINISH: MACHINED SURFACES



DRAWN Eric McGrath	4/17/2020	TITLE		
CHECKED		Face Shield V2		
QA		SIZE	DWG NO	REV
MFG EM	4/17/2020	D	Face Shield V2	0
APPROVED		SCALE	1 : 1	SHEET 4 OF 4